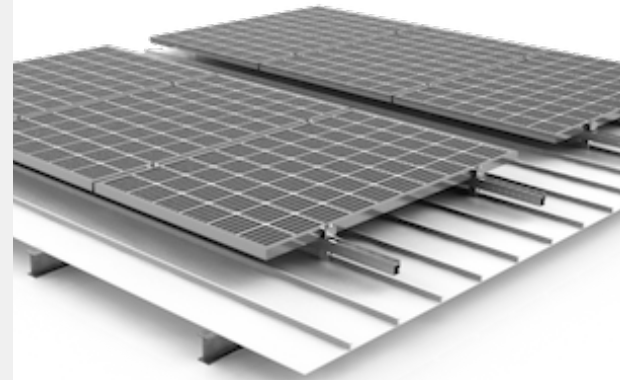


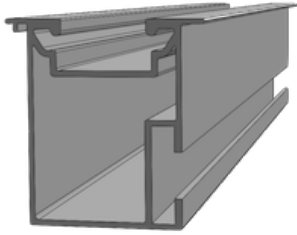
Standing / round seam roof

Maximum Strength

- ▶ ISOKEN system is a solution for standing seam roofs
- ▶ It is applied with seam clamps directly to the seam
- ▶ There are several clamps to fit different seams types
- ▶ This system is used with ISOBEAM profile



ISOKEN



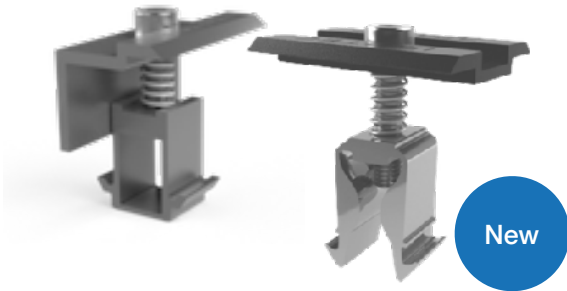
ISOBEAM V.1.2

- ▶ ISOBEAM profile is used in layouts where lateral connection is needed
- ▶ Compatible with EasyClamps
- ▶ Compatible with M8 T-Head Bolts



ISOKEN Standing seam Clamp

- ▶ Clamp for standing seam roofs are suitable for standing seams and round seams
- ▶ Can use Landscape and Portrait



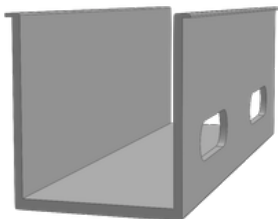
EasyClamp V.1.2 Middle + V.1 End Clamp

- ▶ Delivered in set with integrated nut and spring. Can reduce pv module installation time up to 25%
- ▶ Compatible with all Isotec profiles. Universal clamps work with framed pv modules between 35 - 45 mm height.



L Profile

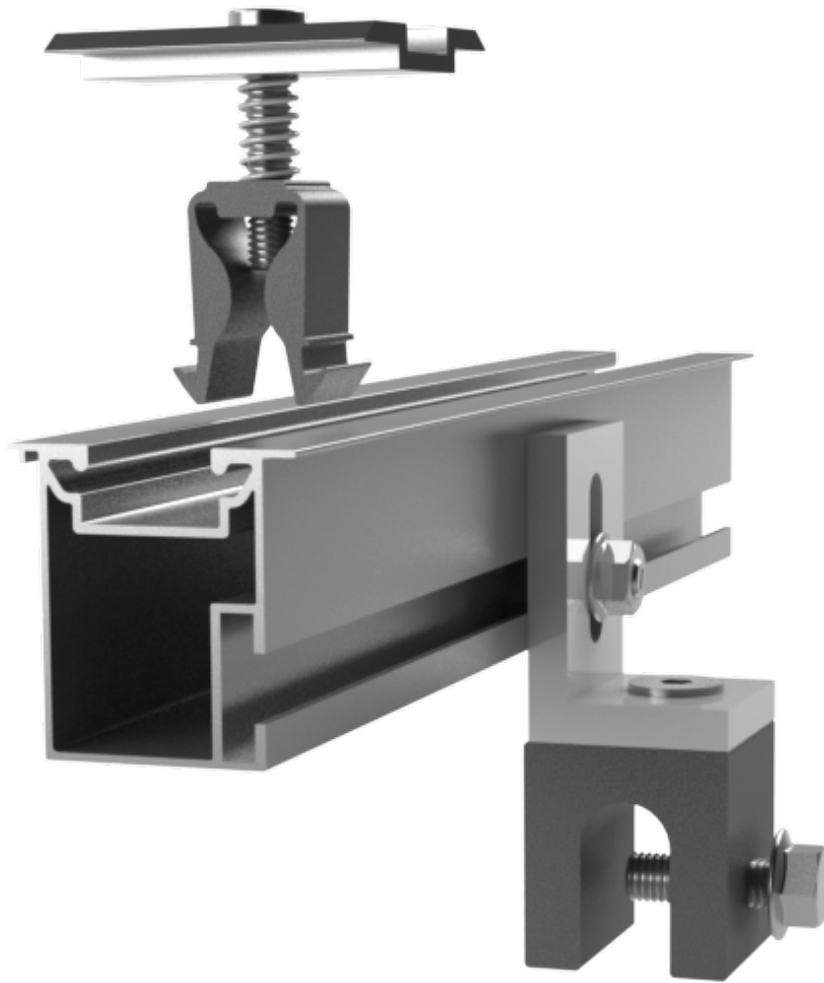
- ▶ This part is used to connect ISOBEAM profile to the anchor
- ▶ Profile height can be adjusted up to 6mm



Beam Connector

- ▶ This part is used to extend ISOBEAM profiler
- ▶ Compatible with M8 T-Head Bolts

ISOKEN

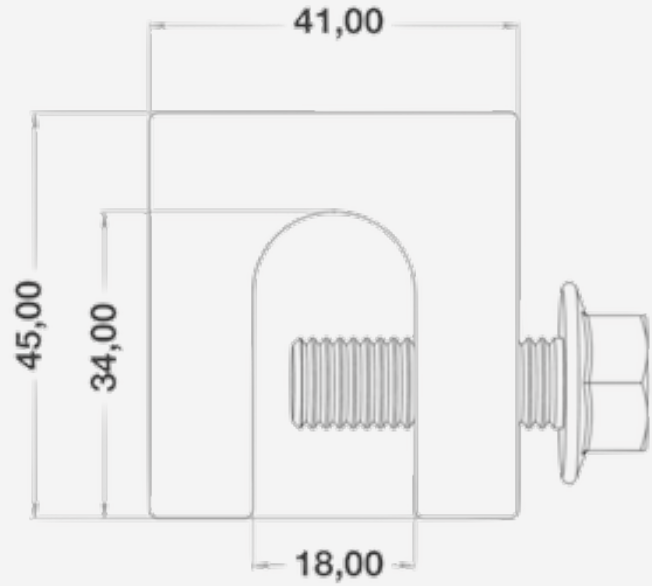
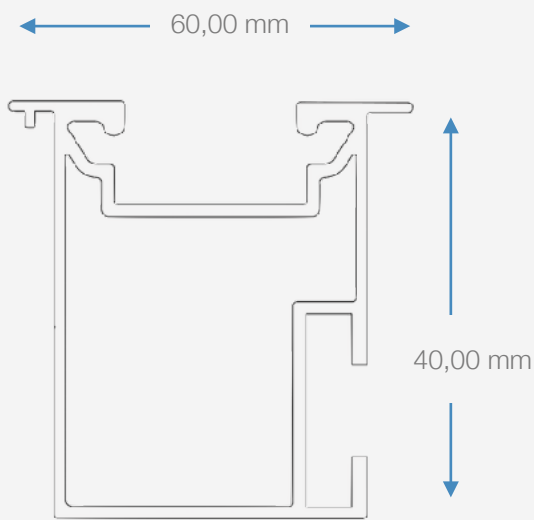


Technical Data

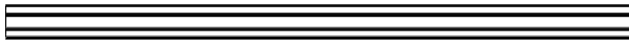
ISOKEN	
Scope of application	Standing seam roofs and round seams
Compatible Solar Panel	L: 640mm - 1960mm W: 990mm-1010mm H: 30mm - 45mm
Fixation	Clamping, bolt
Dimensions	W: 45mm - H: 41mm
Material	Profile and clamps : Aluminium 6063-T66 Support : EPDM Fasteners : Stainless A2-70
Purlin span	Max. 1550 mm



Dimensions

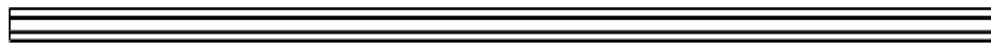


ISOBEAM Item No: 5836



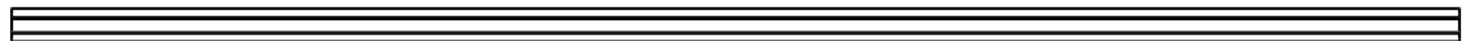
← 2.150 mm →

ISOBEAM Item No: 5726



← 4.300 mm →

ISOBEAM Item No: 5860



← 6.050 mm →